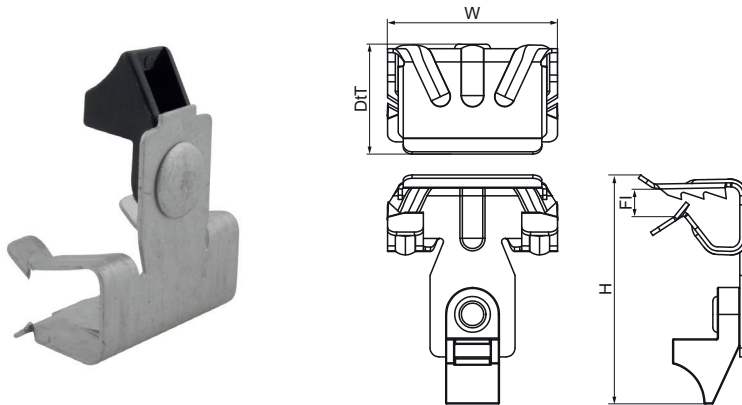


Walraven Britclips® Beam Clip / Saddle Combination

(J05120)

for flange



Features & benefits

- for a solid fixing to steel construction without the need for welding or drilling
- with saddle for cable tie attachment (up to width 7.6 mm)
- material: bracket made of spring steel (type CS70); tie-wrap clip of PA (polyamide), black
- surface treatment: Delta-Tone 9000 (480 hours)

Product Number	Code	Flange	Total Height	Total Width	Total Depth	Maximum Allowed Load Faz
Reference Letter		<i>Fl</i>	<i>H</i>	<i>W</i>	<i>DtT</i>	<i>Fa,z</i>
Unit description		<i>mm</i>	<i>mm</i>	<i>mm</i>	<i>mm</i>	<i>N</i>
EM50330009	BCCT25	4-8	52	38	24	220
EM50330016	BCCT50	8-14	54	38	25	220
EM50330020	BCCT75	14-20	60	38	25	220
EM50330030	BCCT100	20-28	69	38	25.5	220