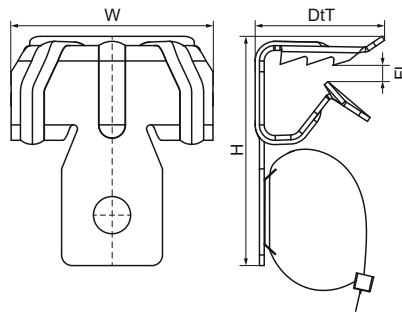


Walraven Britclips® Beam Clip / Saddle Combination (Metal)

(J05122)

for flange



Features & benefits

- for a solid fixing to steel construction without the need for welding or drilling
- with metal saddle for cable tie attachment
- material: clip made of spring steel (type CS70); saddle and cable tie made of stainless steel
- clip: surface treatment Delta-Tone 9000 (480 hours)

Product Number	Flange	Total Height	Total Width	Total Depth
Reference Letter	Fl	H	W	DtT
Unit description	mm	mm	mm	mm
50331009	4-8	45	38	25
50331016	8-14	47	38	25
50331020	14-20	54	38	25