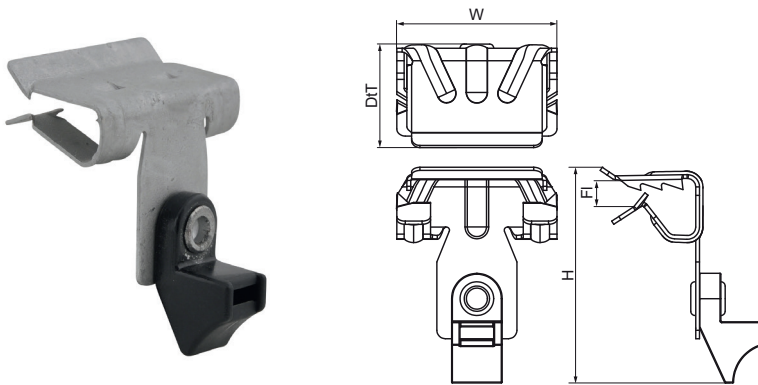


## Walraven Britclips® Beam Clip / Reversed Saddle Combination

(J05125)

for flange



### Features & benefits

- for a solid fixing to steel construction without the need for welding or drilling
- with saddle for cable tie attachment (up to width 7.6 mm)
- material: bracket made of spring steel (type CS70); tie-wrap clip of PA (polyamide), black
- surface treatment: Delta-Tone 9000 (480 hours)

Product Number	Code	Flange	Total Height	Total Width	Total Depth	Maximum Allowed Load Faz
Reference Letter		<i>F</i>	<i>H</i>	<i>W</i>	<i>DtT</i>	<i>F<sub>a,z</sub></i>
Unit description		<i>mm</i>	<i>mm</i>	<i>mm</i>	<i>mm</i>	<i>N</i>
EM50320009	BCCT25R	4-8	39	38	34	220
EM50320016	BCCT50R	8-14	44	38	34	220
EM50320020	BCCT75R	14-20	50	38	34	220
EM50320030	BCCT100R	20-28	56	38	34	220