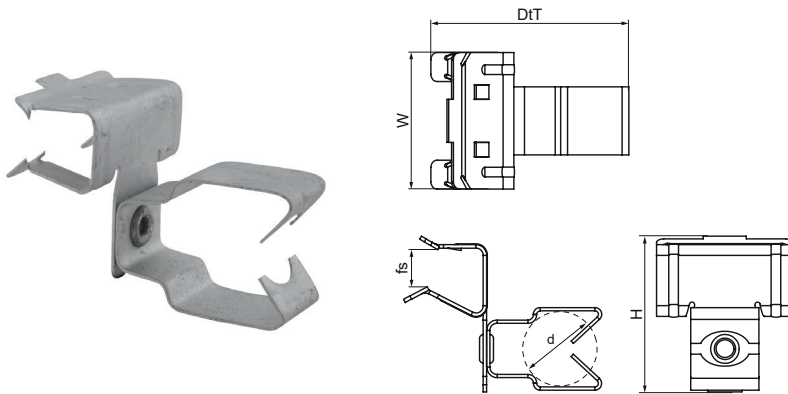


Walraven Britclips® Beam Clip / Conduit Combination

(J05130)

for flange



Features & benefits

- for a solid fixing to steel construction without the need for welding or drilling
- conduit clip swivels 360°
- material: spring steel (type CS70)
- surface treatment: Delta-Tone 9000 (480 hours)

Product Number	Code	For flange size	Diameter	Total Height	Total Width	Total Depth	Maximum Allowed Load Faz
Reference Letter		<i>fs</i>	<i>d</i>	<i>H</i>	<i>W</i>	<i>DtT</i>	<i>Fa,z</i>
Unit description		<i>mm</i>	<i>mm</i>	<i>mm</i>	<i>mm</i>	<i>mm</i>	<i>N</i>
EM50162009	BCC25-50	4 - 8	20	43.6	38	60	110
EM50162016	BCC50-50	8 - 14	20	43.4	38	55.1	110
EM50162020	BCC75-50	14 - 20	20	55.1	38	58.5	110
EM50162030	BCC100-50	20 - 28	20	55.8	38	57.6	110
EM50162509	BCC25-75	4 - 8	25	43	38	60.5	110
EM50162516	BCC50-75	8 - 14	25	45	38	62.1	110
EM50162520	BCC75-75	14 - 20	25	57.16	38	65.5	110
EM50162530	BCC100-75	20 - 28	25	58	38	64.6	110