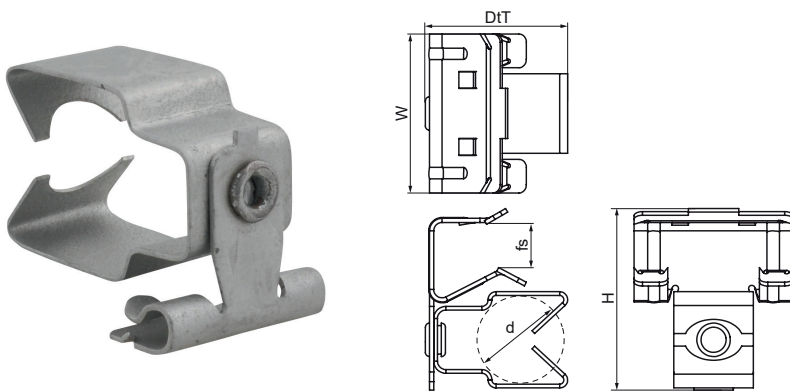


## Walraven Britclips® Reversed Beam Clip / Conduit Combination

(J05135)

for flange



### Features & benefits

- for a solid fixing to steel construction without the need for welding or drilling
- material: spring steel (type CS70)
- surface treatment: Delta-Tone 9000 (480 hours)

Product Number	Code	For flange size	Diameter	Total Height	Total Width	Total Depth	Maximum Allowed Load Faz
Reference Letter		<i>fs</i>	<i>d</i>	<i>H</i>	<i>W</i>	<i>DtT</i>	<i>Fo,z</i>
Unit description		mm	mm	mm	mm	mm	N
EM50142009	BCC25-50R	4 - 8	20	42.7	38	33.9	110
EM50142016	BCC50-50R	8 - 14	20	45.17	38	33.9	110
EM50142020	BCC75-50R	14 - 20	20	50.87	38	33.9	110
EM50142030	BCC100-50R	20 - 28	20	60.23	38	33.9	110
EM50142509	BCC25-75R	4 - 8	25	44.67	38	40.86	110
EM50142516	BCC50-75R	8 - 14	25	47.17	38	40.86	110
EM50142520	BCC75-75R	14 - 20	25	52.87	38	40.86	110
EM50142530	BCC100-75R	20 - 28	25	62.23	38	40.86	110