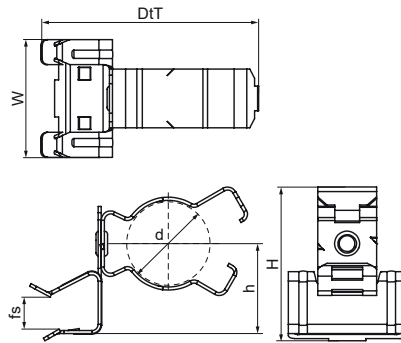
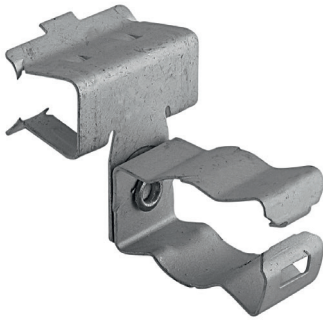


Walraven Britclips® Beam Clip / Locking Unit Combination

(J05140)

for flange



Features & benefits

- for a solid fixing to steel construction without the need for welding or drilling
- conduit clip swivels 360°
- conduit clip with jaw locking (use pliers to lock)
- material: spring steel (type CS70)
- surface treatment: Delta-Tone 9000 (480 hours)

Product Number	Code	For flange size	Height	Diameter	Total Height	Total Width	Total Depth	Maximum Allowed Load Faz
Reference Letter		fs	h	d	H	W	DtT	Fa,z
Unit description		mm	mm	mm	mm	mm	mm	N
EM50122504	BLCC12-575	2 - 4	16	20 - 25	38	28	62.23	450
EM50122509	BLCC25-575	4 - 8	16	20 - 25	56.73	38	67.22	450
EM50122516	BLCC50-575	8 - 14	30	20 - 25	58.49	38	68.85	450
EM50122520	BLCC75-575	14 - 20	32	20 - 25	66.48	38	69.26	450
EM50122530	BLCC100-575	20 - 28	50	20 - 25	70.77	38	71.3	450
EM50122609	BLCC25-75	4 - 8	16	23 - 25	42	38	70	450
EM50122616	BLCC50-75	8 - 14	30	23 - 25	48	38	70	450
EM50122620	BLCC75-75	14 - 20	32	23 - 25	53	38	70	450
EM50122630	BLCC100-75	20 - 28	50	23 - 25	59	38	70	450
EM50123216	BLCC50-100	8 - 14	30	26 - 32	50	38	78	450
EM50123220	BLCC75-100	14 - 20	32	26 - 32	55	38	78	450