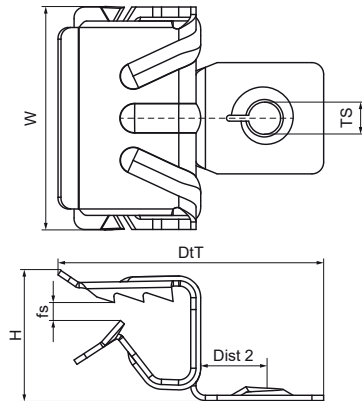
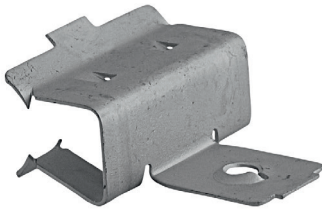


Walraven Britclips® Light Duty Rod Hanger M6

(J05155)

for flange



Features & benefits

- for a solid fixing to steel construction without the need for welding or drilling
- suitable for M6 threaded rod
- material: spring steel (type CS70)
- surface treatment: Delta-Tone 9000 (480 hours)

Product Number	Code	For flange size	Thread Size	Distance 2	Total Height	Total Width	Total Depth	Maximum Allowed Load Faz
<i>Reference Letter</i>		<i>fs</i>	<i>TS</i>	<i>Dist 2</i>	<i>H</i>	<i>W</i>	<i>DtT</i>	<i>F_{0,z}</i>
<i>Unit description</i>		<i>mm</i>		<i>mm</i>	<i>mm</i>	<i>mm</i>	<i>mm</i>	<i>N</i>
EM50425609	BC250-M6	4 - 8	M6	13	12	38	46	150
EM50425616	BC500-M6	8 - 14	M6	13	17	38	46	150