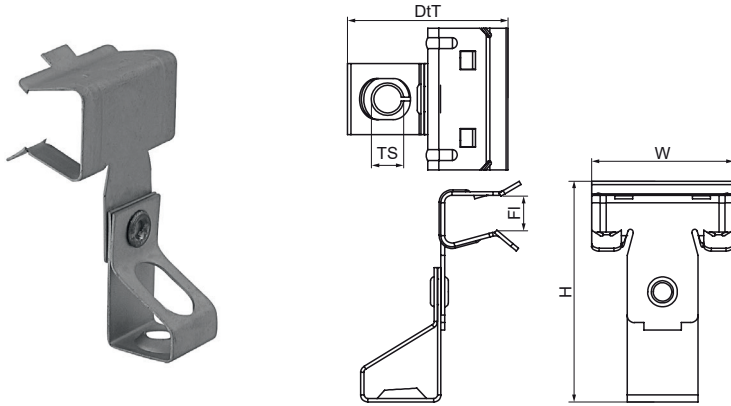


Walraven Britclips® Beam Clip / Threaded Rod Hanger

(J05165)

for flange



Features & benefits

- for a solid fixing to steel construction without the need for welding or drilling
- with threaded rod holder (rod height adjustable by screwing)
- material: spring steel (type CS70)
- surface treatment: Delta-Tone 9000 (480 hours)

| Product Number | Code | Flange | Thread Size | Total Height | Total Width | Total Depth | Maximum Allowed Load Faz |
|------------------|-----------|--------|-------------|--------------|-------------|-------------|--------------------------|
| Reference Letter | | Fl | TS | H | W | DtT | Fa,z |
| Unit description | | mm | | mm | mm | mm | N |
| EM50420609 | RH6MT-25 | 4-8 | M6 | 55 | 38 | 42 | 680 |
| EM50420616 | RH6MT-50 | 8-14 | M6 | 61 | 38 | 42 | 680 |
| EM50420809 | RH8MT-25 | 4-8 | M8 | 55 | 38 | 42 | 680 |
| EM50420816 | RH8MT-50 | 8-14 | M8 | 61 | 38 | 42 | 680 |
| EM50420820 | RH8MT-75 | 14-20 | M8 | 69 | 38 | 45 | 680 |
| EM50421009 | RH10MT-25 | 4-8 | M10 | 61 | 38 | 45 | 680 |
| EM50421016 | RH10MT-50 | 8-14 | M10 | 64 | 38 | 45 | 680 |