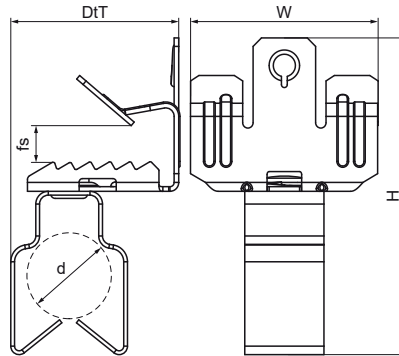
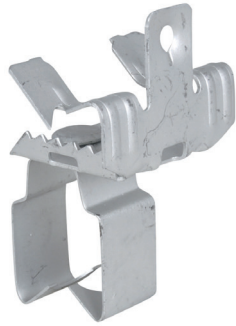


Walraven Britclips® Universal Beam Clip / Conduit Combination

(J10115)

for flange



Features & benefits

- for a solid fixing to steel construction without the need for welding or drilling
- conduit clip swivels 360°
- material: spring steel (type CS70)
- surface treatment: Delta-Tone 9000 (480 hours)

Product Number	Code	For flange size	Diameter	Total Height	Total Width	Total Depth	Maximum Allowed Load Faz
<i>Reference Letter</i>		<i>fs</i>	<i>d</i>	<i>H</i>	<i>W</i>	<i>DeT</i>	<i>Fa,z</i>
<i>Unit description</i>		<i>mm</i>	<i>mm</i>	<i>mm</i>	<i>mm</i>	<i>mm</i>	<i>N</i>
EM51132007	50H2-4	3 - 7	20	65	45	39	110
EM51132013	50H5-8	8 - 12.5	20	68	45	40	110
EM51132020	50H9-12	14 - 20	20	76	45	39	110
EM51132507	75H2-4	3 - 7	25	71.5	45	41	110
EM51132513	75H5-8	8 - 12.5	25	75	45	41	110
EM51132520	75H9-12	14 - 20	25	83	45	41	110