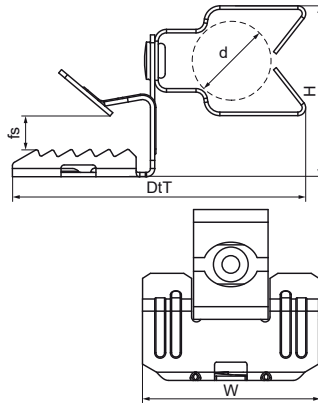
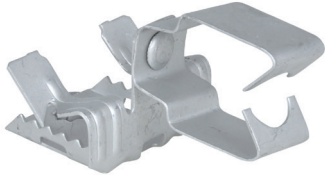


Walraven Britclips® Side Mounted Beam Clip / Conduit Combination

(J10120)

for flange



Features & benefits

- for a solid fixing to steel construction without the need for welding or drilling
- conduit clip swivels 360°
- material: spring steel (type CS70)
- surface treatment: Delta-Tone 9000 (480 hours)

Product Number	Code	For flange size	Diameter	Total Height	Total Width	Total Depth	Maximum Allowed Load Faz
Reference Letter		fs	d	H	W	DtT	Fa,z
Unit description		mm	mm	mm	mm	mm	N
EM51142513	75H5-8SM	8 - 12.5	25	75.3	45	43	110
EM51142520	75H9-12SM	14 - 20	25	75	45	50.4	110