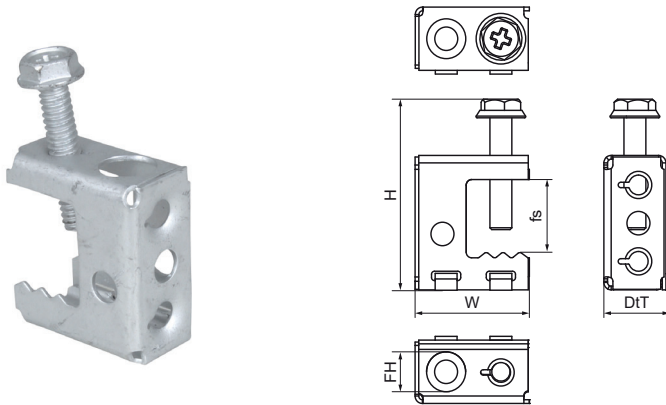


Walraven Britclips® Master Clamp

(J15105)

for flange



Features & benefits

- for a solid fixing to steel construction without the need for welding or drilling
- various fixing possibilities to clamp (horizontal and vertical)
- with thread connector M6
- material: spring steel (type CS70)
- surface treatment: Delta-Tone 9000 (480 hours)

Product Number	Code	For flange size	Fixing Hole	Total Height	Total Width	Total Depth	Maximum Allowed Load Faz
Reference Letter		fs	FH	H	W	DtT	Fa,z
Unit description		mm	mm	mm	mm	mm	N
EM53420717	MC	2 - 17	6.5	42	30	15	550
EM53421117	MC10	2 - 17	11	42	30	15	550
EP53420717	MC	2 - 17	6.5	42	30	15	550