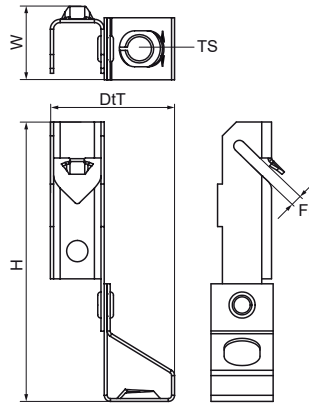


Walraven Britclips® Z Purlin Threaded Rod Hanger

(J40115)

for purlins



Features & benefits

- hold fast 45°
- for fixing to purlins
- with threaded rod holder (rod height adjustable by screwing)
- material: spring steel (type CS70)
- surface treatment: Delta-Tone 9000 (480 hours)

Product Number	Code	Flange	Thread Size	Total Height	Total Width	Total Depth	Maximum Allowed Load Faz
<i>Reference Letter</i>		<i>Fl</i>	<i>TS</i>	<i>H</i>	<i>W</i>	<i>DtT</i>	<i>Fa,z</i>
<i>Unit description</i>		<i>mm</i>		<i>mm</i>	<i>mm</i>	<i>mm</i>	<i>N</i>
EM57420803	ZP8MT	≤ 2.5	M8	67	19	36	450
EM57421003	ZP10MT	≤ 2.5	M10	86	21	38	450
EM57430603	ZP6MT	≤ 2.5	M6	86	21	38	450