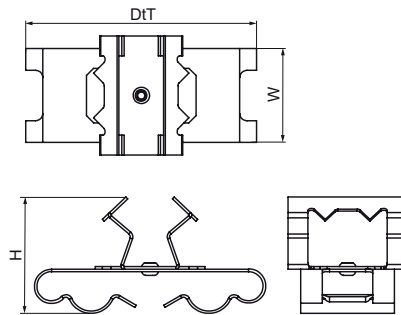


Walraven Britclips® Dovetail Cable Hanger (HOL2)

(J45115)

for composite flooring systems



Features & benefits

- for fixing to composite flooring systems
- simple push in fixing
- for fixing up to 4 cables
- rotates through 360°
- material: spring steel (type CS70)
- surface treatment: Delta-Tone 9000 (480 hours)

Product Number	Code	Dovetail Opening	Suitable for Cable Diameter	Suitable for Cable Diameter 2	Height	Total Height	Total Width	Total Depth
<i>Reference Letter</i>		<i>DO</i>	<i>DC</i>	<i>DC2</i>	<i>h</i>	<i>H</i>	<i>W</i>	<i>DtT</i>
<i>Unit description</i>		<i>mm</i>	<i>mm</i>	<i>mm</i>	<i>mm</i>	<i>mm</i>	<i>mm</i>	<i>mm</i>
EM58221216	HOL2-1	12 - 16	7 - 8	9 - 12	18	31	33	64
EM58221222	HOL2-2	17 - 22	7 - 8	9 - 12	18	33	33	64