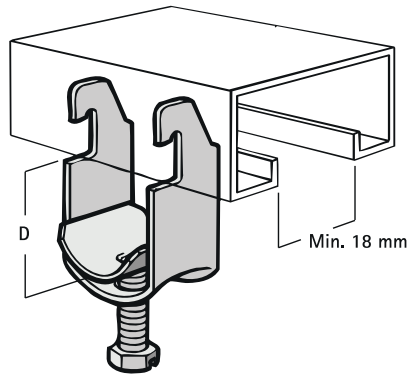


Walraven Britclips® Channel Clamp

(J50138)

for all pipes



Features & benefits

- engages over channel flange to support cable
- can be tightened to secure
- pre-galvanized

Product Number	Code	Outside Pipe Diameter	Total Height	Total Width	Total Depth	Maximum Allowed Load Faz
Reference Letter		<i>D</i>	<i>H</i>	<i>W</i>	<i>DtT</i>	<i>F_{a,z}</i>
Unit description		<i>mm</i>	<i>mm</i>	<i>mm</i>	<i>mm</i>	<i>N</i>
EM55551822	GCCA22	16 - 22	63	34	27	1,000
EM55551828	GCCA28	22 - 28	69	34	33	1,000