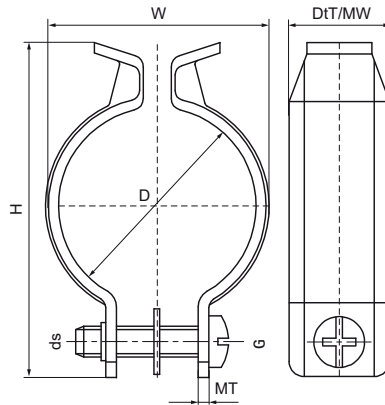


Walraven Beam Clamp Model O - Accessories

(K2020)

accessories for Walraven Beam Clamp Model O



Features & benefits

- easy to attach to beam clamp model O
- for fixing of conduits or cables
- specified loads are applicable for installations underneath the beam
- material: steel 1.0332
- surface treatment: zinc flake coated

| Product Number | Outside Pipe Diameter | DN | Total Height | Total Width | Total Depth | Material Width | Material Thickness | Screw Size | Maximum Allowed Load Faz |
|------------------|-----------------------|-------|--------------|-------------|-------------|----------------|--------------------|------------|--------------------------|
| Reference Letter | D | D | H | W | DtT | MW | MT | ds | F _{0,2} |
| Unit description | mm | | mm | mm | mm | mm | mm | | N |
| 6077220 | 16 - 20 | DN 10 | 22 | 41 | 16 | 16 | 1.50 | M5 | 600 |
| 6077225 | 20.4 - 25 | DN 15 | 33 | 51 | 16 | 16 | 1.50 | M5 | 600 |
| 6077231 | 26.9 - 31.8 | DN 20 | 33 | 60 | 16 | 16 | 1.50 | M5 | 600 |
| 6077238 | 33.7 - 38 | DN 25 | 42 | 81 | 20 | 20 | 1.50 | M6 | 600 |
| 6077244 | 40 - 44.5 | DN 32 | 46 | 72 | 20 | 20 | 1.50 | M6 | 600 |