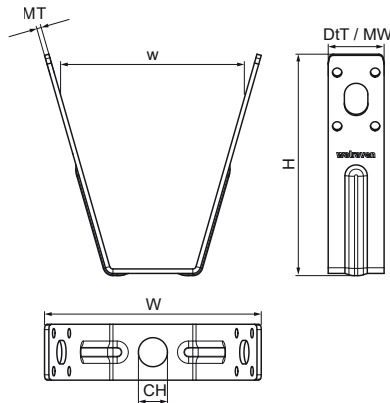


Walraven Roofing Sheet Hanger

(K2507)

fixing to trapeze roofing sheet



Features & benefits

- for mounting to profiled roofing sheet by means of pop rivets or threaded rod
- variable distance to roof hanger by using a threaded rod
- material: steel 1.0226
- pre-galvanized

Product Number	Connection	Connection Thread	Connection Hole	Width	Material Width	Material Thickness	Total Height	Total Width	Total Depth	Maximum Allowed Load Faz
<i>Reference Letter</i>		<i>G</i>	<i>CH</i>	<i>w</i>	<i>MW</i>	<i>MT</i>	<i>H</i>	<i>W</i>	<i>DtT</i>	<i>Fa,z</i>
<i>Unit description</i>			<i>mm</i>	<i>mm</i>	<i>mm</i>	<i>mm</i>	<i>mm</i>	<i>mm</i>	<i>mm</i>	<i>N</i>
6785101	Hole	-	13	82	25	2.00	99	97	25	1,700