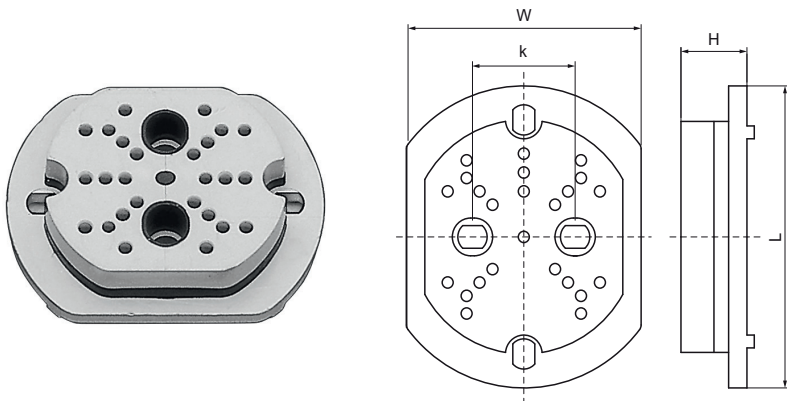


Walraven BISMAT® Rail – Sound Shield

(K3025)

accessories of BISMAT® Rail



Features & benefits

- to avoid noise transmission of sanitary wall plates
- material: ABS and EPDM
- sound insulating lining according DIN 4109

Product Number	Total Height	Total Width	Total Length	Heart To Heart Distance
Reference Letter	H	W	L	k
Unit description	mm	mm	mm	mm
0835001	18	64	80	28