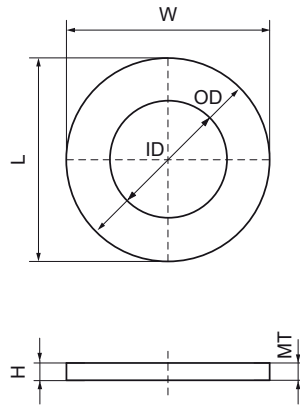


Walraven Serrated Washer

(K4533)



Features & benefits

- serrated lock washer with external teeth
- according to NEN-2453 (former DIN 6798)
- material: steel
- zinc plated

Product Number	For Rail Type	Total Height	Total Width	Total Length	Inner Diameter	Outer Diameter	Material Thickness
<i>Reference Letter</i>		<i>H</i>	<i>W</i>	<i>L</i>	<i>ID</i>	<i>OD</i>	<i>MT</i>
<i>Unit description</i>		<i>mm</i>	<i>mm</i>	<i>mm</i>	<i>mm</i>	<i>mm</i>	<i>mm</i>
6533990	27x18, 30x15, 30x20, 30x30	3	18	18	10.5	18	0.90
6533992	27x18, 30x15, 30x20, 30x30	3	20.5	20.5	12.5	20.5	1.00
6533996	27x18, 30x15, 30x20, 30x30	3	11	11	6.4	11	0.70
6533998	27x18, 30x15, 30x20, 30x30	3	15	15	8.4	15	0.80