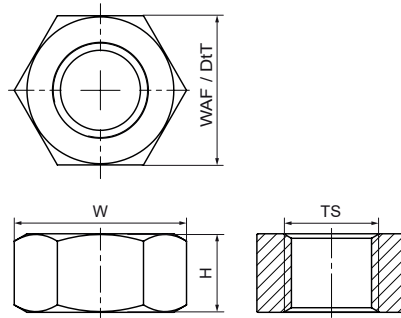


Walraven Hexagon Nut

(K4535)

for threaded connections



Features & benefits

- material: steel, strength class 8
- zinc plated
- M10 and M12 tested for fire safety according to EN 1363-1
- M7B: pitch = M7 x 1 mm
- M7F: pitch = M7 x 1.5 mm



Product Number	Norm / Standard	Thread Size	Width Across Flats	Total Depth	Total Height	Total Width	Colour
<i>Reference Letter</i>		<i>TS</i>	<i>WAF</i>	<i>DtT</i>	<i>H</i>	<i>W</i>	
<i>Unit description</i>			<i>mm</i>	<i>mm</i>	<i>mm</i>	<i>mm</i>	
6123006	DIN 934	M6	10	10	5	12	Zinc
6123008	DIN 934	M8	13	13	7	15	Zinc
6123010	DIN 934	M10	17	17	8	20	Zinc
6123012	DIN 934	M12	19	19	10	22	Zinc
6123016	DIN 934	M16	24	24	13	28	Zinc
6123020	DIN 934	M20	30	30	16	35	Zinc
6123021	BSPP	G½"	27	27	15	31	Zinc