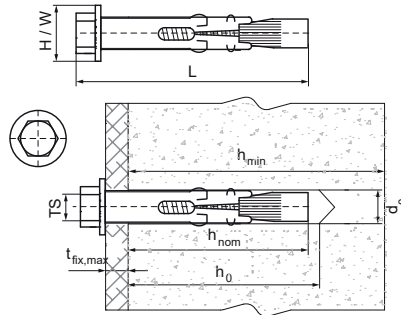


Walraven Sleeve Anchor Hexagon Head

(L0547)

expansion anchor



Features & benefits

- quick and easy installation
- for solid materials

Product Number	Thread Size	Total Length	Drill Hole Diameter	Drill Hole Depth	Minimum Substrate Thickness	Maximum Fixture Thickness	Standard Embedment Depth	Recommended Load In Uncracked Concrete C20/25	Total Height	Total Width
Reference Letter	TS	L	d0	h0	hmin	tfix,max	hnom		H	W
Unit description		mm	mm	mm	mm	mm	mm	N	mm	mm
609506045	M6	50	8	45	100	5	30	2,320	12	12
609506060	M6	65	8	60	100	15	35	2,980	12	12
609508060	M8	67	10	60	100	5	40	3,640	16	16
609508080	M8	87	10	80	105	15	50	5,300	16	16
609510070	M10	78	12	70	100	5	48	4,640	20	20
609510100	M10	108	12	100	110	25	55	5,790	20	20