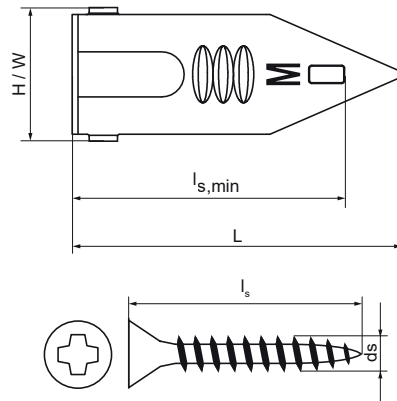


## Walraven WPF Plasterboard Fixings

(L0722)

A classic hammer-in fixing for plasterboard



### Features & benefits

- quick and easy to install
- central thread guide provides optimum screw positioning
- does not require drilling
- sharp tip allows precise installation
- for use with  $\varnothing$  3.5-5.0 mm wood or chipboard screws
- Application: interior decorations, pictures, lamps, electrical fittings
- material: steel
- zinc plated

Product Number	Total Length	Minimum Screw Depth	Screw Size	Screw Length	Suitable For Screw Diameter	Total Height	Total Width
Reference Letter	L	$l_{s,min}$	$d_s$	$l_s$		H	W
Unit description	mm	mm		mm	mm	mm	mm
6110063	30	27			3.5 - 5	12	12
6110263	50	27	4	50	3.5 - 5	12	12
6110334	50	27	4	50	3.5 - 5	12	12
6110092	30	27			3.5 - 5	12	12