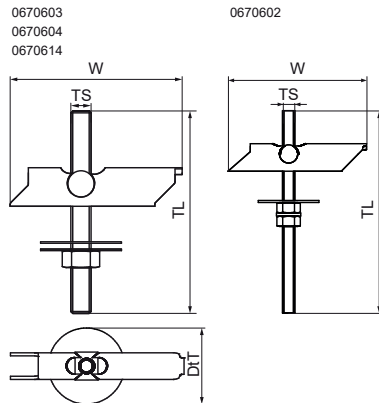
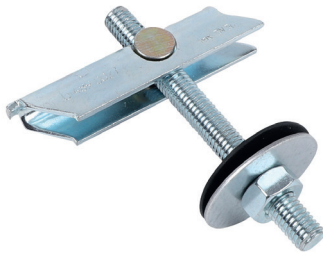


Walraven Toggle Plug (Stud-end)

(L1025)

fixing to hollow walls & ceilings



Features & benefits

- U-profile with rotating shaft with stud bolt
- for fixing in hollow walls and hollow ceilings or profiled roofing sheets
- with VdS-approval - certificate number G 4890027 (M10) max. DN 50 - 2"
- with FM-approval - certificate number 3047342 max. DN 40 - 1 1/2"
- load capacity of the plug is influenced by the surface
- material: metal parts made of steel; protective washer made of rubber (0670602 without rubber washer)
- zinc plated



Product Number	Thread Size	Thread Length	Drill Hole Diameter	Width Across Flats	Min. Hollow Depth	Maximum Substrate Thickness	Total Height	Total Width	Total Depth	Approvals
<i>Reference Letter</i>	<i>TS</i>	<i>TL</i>	<i>d0</i>	<i>WAF</i>			<i>H</i>	<i>W</i>	<i>DtT</i>	
<i>Unit description</i>		<i>mm</i>	<i>mm</i>	<i>mm</i>	<i>mm</i>	<i>mm</i>	<i>mm</i>	<i>mm</i>	<i>mm</i>	
0670602	M6	100	17	10	70	55	102	70	30	ITB (KOT)
0670603	M8	100	20	13	75	50	102	74	40	ITB (KOT)
0670604	M10	100	25	17	85	45	102	85	40	VdS, ITB (KOT), FM
0670614	M10	200	25	17	85	145	202	85	40	VdS, FM