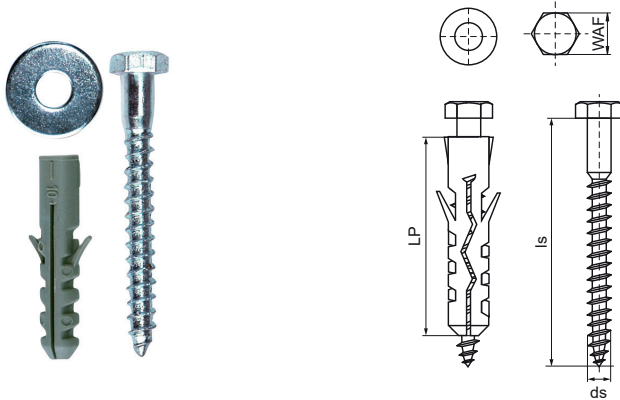


## Walraven Wood Thread Bolt Set

(L1096)

fixing set with plugs



### Features & benefits

- suitable for variety of substrates
- easily slides into holes
- does not expand prematurely
- material: metal parts made of steel, plug of PA (polyamide)
- consists of: 2 screws, 2 washers, 2 plugs
- substrate type: lightweight concrete, concrete, solid masonry, rock, sand-lime bricks, natural stone, gypsum

Product Number	Screw Length	Screw Size	Plug Length	Plug Diameter	Width Across Flats	Material	Surface Protection
Reference Letter	ls	ds	LP		WAF		
Unit description	mm		mm	mm	mm		
0658870	70	8	50	10	13	Steel	Zinc Plated
0658871	70	10	60	12	17	Steel	Zinc Plated