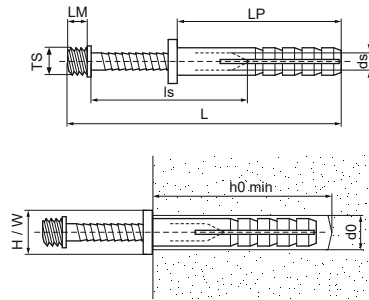


Walraven Hammer-in Shoulder Stud

(L1505)

fixing to wall or ceiling



Features & benefits

- hammer-in instead of screw-in
- impact head to prevent head damage
- plug with shoulder
- material: hammer-in stud made of steel; plug made of grey PA (polyamide)
- zinc plated, passivated

Product Number	Plug Length	Drill Hole Diameter Plugs	Min. Drill Hole Depth	Screw Size	Screw Length	Thread Size	Length Metrical Thread	Total Height	Total Width	Total Length
<i>Reference Letter</i>	<i>LP</i>	<i>d0</i>	<i>h0 min</i>	<i>ds</i>	<i>ls</i>	<i>TS</i>	<i>Lm</i>	<i>H</i>	<i>W</i>	<i>L</i>
<i>Unit description</i>	<i>mm</i>	<i>mm</i>	<i>mm</i>		<i>mm</i>		<i>mm</i>	<i>mm</i>	<i>mm</i>	<i>mm</i>
6373640	40	6	50	4	50	M6	8	8	8	73
6373850	45	8	55	4.5	55	M8	6	10	10	76