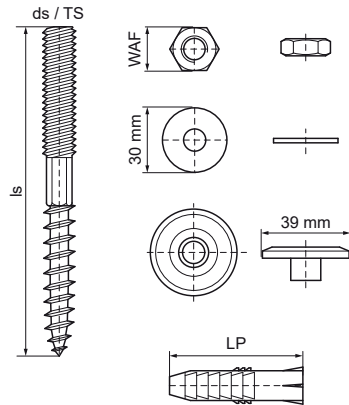


## Walraven Wash Basin Plug Bolt Set

(L2005)

fixing of wash basins and hand basins



### Features & benefits

- fixing set for wash-hand basins
- material: metal parts made of steel, guiding ring of PP (polypropylene), white; plug of PA (polyamide)
- zinc plated
- consists of: 2 hanger bolts, 2 washers, 2 guiding rings, 2 hexagon nuts, 2 plugs
- substrate type: lightweight concrete, concrete, solid masonry, rock, sand-lime bricks, natural stone, gypsum

Product Number	Screw Length	Screw Size	Thread Size	Plug Length	Plug Diameter	Width Across Flats	Material	Surface Protection
Reference Letter	ls	ds	TS	LP		WAF		
Unit description	mm			mm	mm	mm		
0657600	110	M10	M10	60	12	17	Steel	Zinc Plated
0657800	140	M10	M10	60	12	17	Steel	Zinc Plated
0657850	140	M10	M10	75	14	17	Steel	Zinc Plated
0667300	90	M8	M8	49	10	13	Steel	Zinc Plated