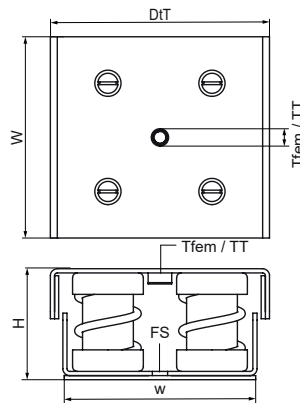


## Walraven VibraTek® MS-4 Spring Mount

(L20515)

High performance spring isolator for medium to heavy equipment



### Features & benefits

- recommended for equipment with low working speeds, from 600 rpm and above
- flexible internal filler prevents debris and solid elements entering and damaging the spring under load
- ribs in the metal base provide increased stiffness
- slot holes facilitate positioning and anchoring to the base material
- epoxy powder-coated base, caps and springs provide increased resistance to corrosion
- average ratio  $K_x / K_z = K_y / K_z = 2.0$
- working temperature range  $-90\text{ °C}$  till  $150\text{ °C}$

Product Number	Female Thread	Thread Type	Total Height	Total Width	Total Depth	Width	Fixing Slot	Heart To Heart Distance	Recommended Minimum Load Faz	Recommended Maximum Load Faz	Maximum Static Deflection
Reference Letter	Tfem	TT	H	W	DtT	w	FS	k			
Unit description			mm	mm	mm	mm	mm	mm	N	N	mm
2800501000	M10	Metric	80	145	158	140	19x11	118	200	900	23
2800501500	M10	Metric	80	145	158	140	19x11	118	260	1,350	23
2800502000	M10	Metric	80	145	158	140	19x11	118	400	1,800	23
2800503000	M10	Metric	80	145	158	140	19x11	118	700	2,700	23
2800504000	M10	Metric	80	145	158	140	19x11	118	800	3,600	23
2800505000	M10	Metric	80	145	158	140	19x11	118	1,000	4,500	23