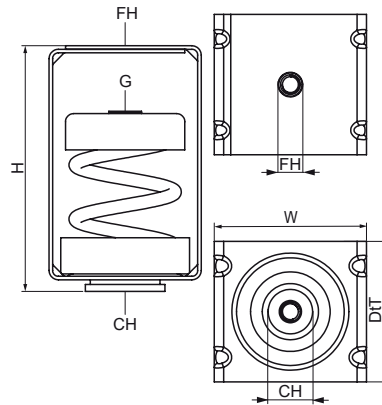


Walraven VibraTek® HS-1 Spring Hanger

(L20539)

high performance spring isolator for light suspended loads



Features & benefits

- simple to install and does not need to be fixed to the base material
- recommended for machinery with low working speeds above 700 rpm
- epoxy powder-coated housing, cap and spring provide increased resistance to corrosion
- rubber spring base cup prevents contact between housing and the spring
- working temperature range -90 °C till 150 °C

Product Number	Connection Thread	Total Height	Total Width	Total Depth	Fixing Hole	Connection Hole	Recommended Minimum Load Faz	Recommended Maximum Load Faz	Maximum Static Deflection
Reference Letter	G	H	W	DtT	FH	CH			
Unit description		mm	mm	mm	mm	mm	N	N	mm
2800600050	M8	105	65	60	10.5	24	5	45	23
2800600150	M8	105	65	60	10.5	24	20	140	23
2800600250	M8	105	65	60	10.5	24	30	230	23
2800600500	M8	105	65	60	10.5	24	50	450	23
2800600750	M8	105	65	60	10.5	24	80	690	23
2800601000	M8	105	65	60	10.5	24	100	920	23