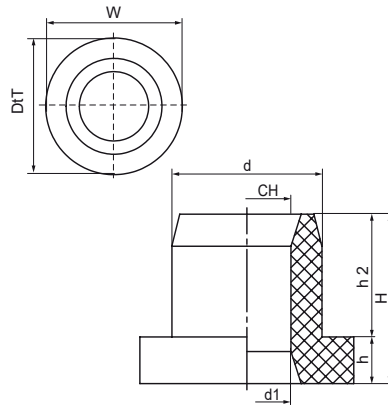


Walraven VibraTek® SA-2 Silent Absorber

(L20551)

silent rubber absorber for isolating metal to metal contact



Features & benefits

- a versatile viscoelastic rubber absorber for preventing metal-to-metal contact in joined or fastened surfaces
- simple installation
- with Ø 14mm hole for use with M10 and M12 threaded rods
- prevents transmission of vibration and noise
- working temperature range -10 °C till 45 °C

| Product Number | Total Height | Total Width | Total Depth | Height | Height 2 | Connection Hole | Diameter | Recommended Minimum Load Faz | Recommended Maximum Load Faz | Maximum Static Deflection |
|------------------|--------------|-------------|-------------|--------|----------|-----------------|----------|------------------------------|------------------------------|---------------------------|
| Reference Letter | H | W | DtT | h | h 2 | CH | d | | | |
| Unit description | mm | mm | mm | mm | mm | mm | mm | N | N | mm |
| 2801000300 | 27 | 34 | 34 | 7.3 | 19.2 | 14 | 12.5 | 10 | 250 | 3 |