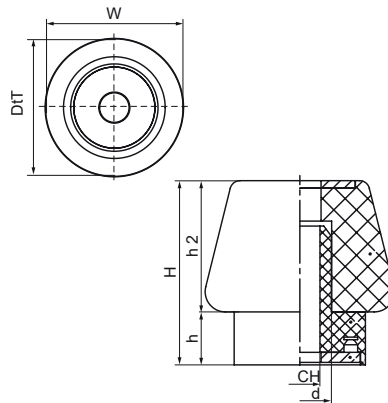


## Walraven VibraTek® SA-3 Silent Absorber

(L20554)

silent rubber absorber for isolating metal to metal contact



### Features & benefits

- formed of two rubber parts which fit into each other, making it suitable for various fixing plate thicknesses
- ideal isolation of HVAC equipment
- for use with M8 threaded rods
- a versatile viscoelastic two-piece rubber absorber for preventing metal-to-metal contact in joined or fastened surfaces
- simple installation
- prevents transmission of vibration and noise
- working temperature range -10 °C till 45 °C

| Product Number   | Total Height | Total Width | Total Depth | Height | Height 2 | Connection Hole | Diameter | Recommended Minimum Load Faz | Recommended Maximum Load Faz | Maximum Static Deflection |
|------------------|--------------|-------------|-------------|--------|----------|-----------------|----------|------------------------------|------------------------------|---------------------------|
| Reference Letter | H            | W           | DtT         | h      | h 2      | CH              | d        | N                            | N                            | mm                        |
| Unit description | mm           | mm          | mm          | mm     | mm       | mm              | mm       | N                            | N                            | mm                        |
| 2801100300       | 37           | 38          | 38          | 10.5   | 26       | 8               | 12.5     | 5                            | 200                          | 7                         |
| 2801100450       | 37           | 38          | 38          | 10.5   | 26       | 8               | 12.5     | 10                           | 400                          | 7                         |