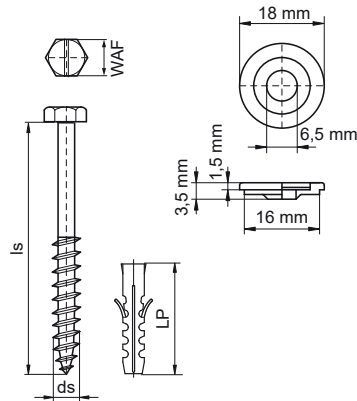


## Walraven Toilet Fixing Kit

(L2505)

fixing of toilet



### Features & benefits

- consists of: 2 Hexagon wood screws DIN 571 with slot, 4 End caps of 2 POM (2 x chrome, 2 x white), 2 Protective washers of PP, 2 Plugs of PA (polyamide)

Product Number	Screw Length	Screw Size	Plug Length	Plug Diameter	Width Across Flats	Material	Surface Protection
Reference Letter	<i>ls</i>	<i>ds</i>	<i>LP</i>		<i>WAF</i>		
Unit description	<i>mm</i>		<i>mm</i>	<i>mm</i>	<i>mm</i>		
0653070	70	6	50	10	10	Steel	Zinc Plated
0653080	80	6	50	10	10	Steel	Zinc Plated
0659070	70	6	50	10	10	Brass	Untreated