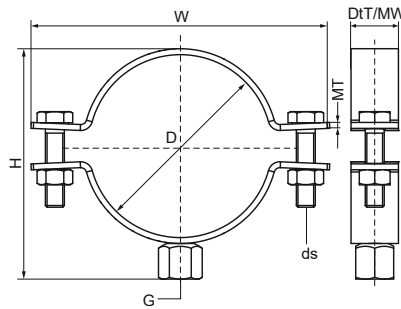


## Walraven Clamp HD700 SSt A4 M10

(M0515)



### Features & benefits

- two-part clamp with two locking bolts
- heavy design
- with CO<sub>2</sub> welded connection nut
- material: stainless steel 1.4404 (2B) - EN 10088, AISI 316L

Product Number	Outside Pipe Diameter	DN	Connection Thread	Total Height	Total Width	Total Depth	Material Width	Material Thickness	Screw Size	Maximum Allowed Load Faz
Reference Letter	D	D	G	H	W	D <sub>T</sub> /MW	MW	MT	ds	F <sub>0,z</sub>
Unit description	mm			mm	mm	mm	mm	mm		N
33074077	70 - 77	DN 65	M10	97	126	20	20	2.50	M8	3,000
33074086	78 - 86		M10	106	134	20	20	2.50	M8	3,000
33074095	87 - 95	DN 80	M10	115	144	20	20	2.50	M8	3,000
33074104	96 - 104		M10	124	153	20	25	2.50	M8	3,000
33074109	101 - 109		M10	129	158	25	25	2.50	M8	3,000
33074117	110 - 117	DN 100	M10	137	166	25	25	2.50	M8	3,000
33074129	122 - 129		M10	149	178	25	25	2.50	M8	3,000
33074137	130 - 137		M10	157	186	25	25	2.50	M8	3,000
33074145	138 - 145	DN 125	M10	165	194	25	25	2.50	M8	3,000
33074154	146 - 154		M10	176	207	30	30	3.00	M8	4,000
33074162	155 - 162		M10	184	215	30	30	3.00	M8	4,000
33074170	163 - 170	DN 150	M10	192	223	30	30	3.00	M8	4,000
33074178	171 - 178		M10	200	231	30	30	3.00	M8	4,000
33074186	179 - 186		M10	207	239	30	30	3.00	M8	4,000
33074195	187 - 195		M10	216	248	30	30	3.00	M8	4,000
33074203	196 - 203		M10	224	256	30	30	3.00	M8	4,000