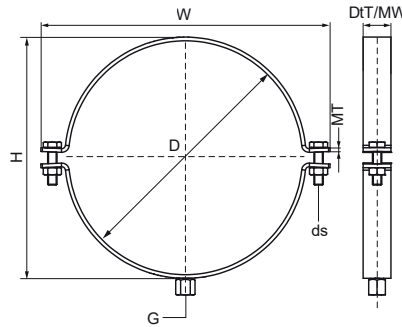


Walraven Clamp HD700 SSt A4 M12

(M0520)



Features & benefits

- two-part clamp with two locking bolts
- heavy design
- with CO₂ welded connection nut
- material: stainless steel 1.4404 (2B) - EN 10088, AISI 316L

Product Number	Outside Pipe Diameter	DN	Connection Thread	Total Height	Total Width	Total Depth	Material Width	Material Thickness	Screw Size	Maximum Allowed Load Faz
Reference Letter	D	D	G	H	W	DtT	MW	MT	ds	F _{0,z}
Unit description	mm			mm	mm	mm	mm	mm		N
33074227	218 - 227	DN 200	M12	253	287	30	30	4.00	M10	6,000
33074252	244 - 252		M12	278	312	30	30	4.00	M10	6,000
33074268	261 - 268		M12	294	328	30	30	4.00	M10	6,000
33074277	269 - 277	DN 250	M12	303	337	30	30	4.00	M10	6,000
33074285	278 - 285		M12	311	345	30	30	4.00	M10	6,000