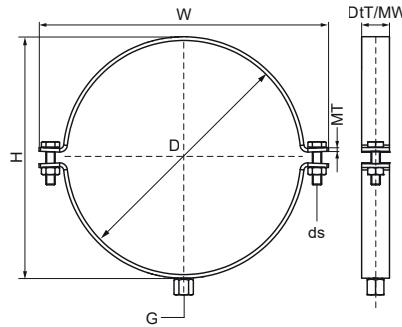


Walraven Clamp HD700 SSt A4 M16

(M0525)



Features & benefits

- two-part clamp with two locking bolts
- heavy design
- with CO₂ welded connection nut
- material: stainless steel 1.4404 (2B) - EN 10088, AISI 316L

Product Number	Outside Pipe Diameter	DN	Connection Thread	Total Height	Total Width	Total Depth	Material Width	Material Thickness	Screw Size	Maximum Allowed Load Faz
Reference Letter	D	D	G	H	W	D _t T	MW	MT	ds	F _{0,z}
Unit description	mm									
33074318	310 - 318		M16	350	390	40	40	4.00	M12	8,000
33074329	322 - 330	DN 300	M16	362	402	40	40	4.00	M12	8,000
33074361	354 - 361	DN 350	M16	393	433	40	40	4.00	M12	8,000