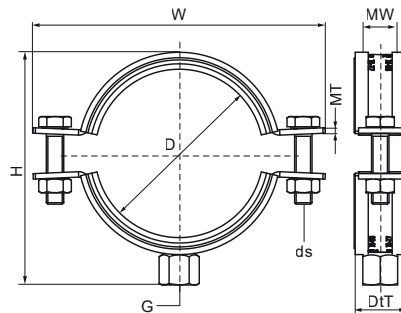


Walraven Clamp HD1701 SSt A4 EPDM M10

(M0530)



Features & benefits

- two-part clamp with two locking bolts
- heavy design
- with CO₂ welded connection nut
- material: stainless steel 1.4404 (2B) - EN 10088, AISI 316L
- noise insulating lining, EPDM rubber, black
- with sound insulating lining (acc. DIN 4109), age resistant, for temperatures -30 °C up to +110 °C

Product Number	Outside Pipe Diameter	DN	Connection Thread	Total Height	Total Width	Total Depth	Material Width	Material Thickness	Screw Size	Maximum Allowed Load Faz
Reference Letter	D	D	G	H	W	DtT	MW	MT	ds	F _{0,z}
Unit description	mm			mm	mm	mm	mm	mm		N
33174077	70 - 77	DN 65	M10	106	135	24	20	2.50	M8	1,250
33174086	78 - 86		M10	115	144	24	20	2.50	M8	1,250
33174095	87 - 95	DN 80	M10	125	153	24	20	2.50	M8	1,250
33174109	101 - 109		M10	139	166	31	25	2.50	M8	2,000
33174117	110 - 117	DN 100	M10	147	174	31	25	2.50	M8	2,000
33174129	122 - 129		M10	159	186	31	25	2.50	M8	2,000
33174137	130 - 137		M10	167	194	31	25	2.50	M8	2,000
33174145	138 - 145	DN 125	M10	177	204	31	25	2.50	M8	2,000
33174154	146 - 154		M10	185	215	36	30	3.00	M8	3,300
33174162	155 - 162		M10	193	223	36	30	3.00	M8	3,300
33174170	163 - 170	DN 150	M10	201	231	36	30	3.00	M8	3,300
33174178	171 - 178		M10	209	239	36	30	3.00	M8	3,300
33174186	179 - 186		M10	218	248	36	30	3.00	M8	3,300
33174195	187 - 195		M10	226	256	36	30	3.00	M8	3,300
33174203	196 - 203		M10	234	264	36	30	3.00	M8	3,300