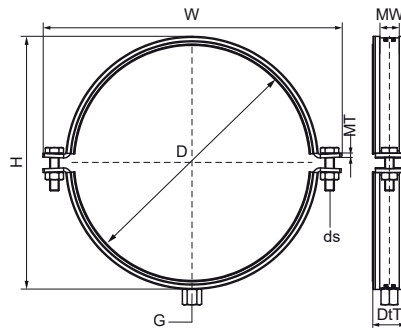


Walraven Clamp HD1701 SSt A4 EPDM M12

(M0535)



Features & benefits

- two-part clamp with two locking bolts
- heavy design
- with CO₂ welded connection nut
- material: stainless steel 1.4404 (2B) - EN 10088, AISI 316L
- noise insulating lining, EPDM rubber, black
- with sound insulating lining (acc. DIN 4109), age resistant, for temperatures -30 °C up to +110 °C

Product Number	Outside Pipe Diameter	DN	Connection Thread	Total Height	Total Width	Total Depth	Material Width	Material Thickness	Screw Size	Maximum Allowed Load Faz
Reference Letter	D	D	G	H	W	DtT	MW	MT	ds	F _{0,z}
Unit description	mm			mm	mm	mm	mm	mm		N
33174227	218 - 227	DN 200	M12	263	295	36	30	4.00	M10	5,750
33174252	244 - 252		M12	288	320	36	30	4.00	M10	5,750
33174268	261 - 268		M12	305	337	36	30	4.00	M10	5,750
33174277	269 - 277	DN 250	M12	313	345	36	30	4.00	M10	5,750
33174285	278 - 285		M12	321	353	36	30	4.00	M10	5,750