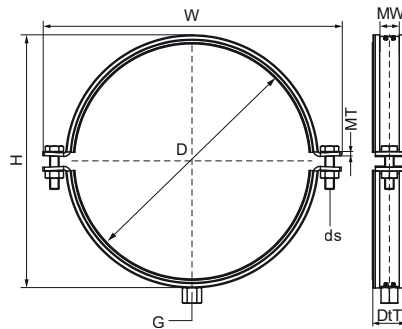


Walraven Clamp HD1701 SSt A4 EPDM M16

(M0540)



Features & benefits

- two-part clamp with two locking bolts
- heavy design
- with CO₂ welded connection nut
- materials: stainless steel 1.4404 (2B) - EN 10088, AISI 316L
- noise insulating lining, EPDM rubber, black
- with sound insulating lining (acc. DIN 4109), age resistant, for temperatures -30 °C up to +110 °C

Product Number	Outside Pipe Diameter	DN	Connection Thread	Total Height	Total Width	Total Depth	Material Width	Material Thickness	Screw Size	Maximum Allowed Load Faz
Reference Letter	D	D	G	H	W	DtT	MW	MT	ds	F _{0,z}
Unit description	mm			mm	mm	mm	mm	mm		N
33174318	310 - 318		M16	364	402	45	40	4.00	M12	6,500
33174329	322 - 330	DN 300	M16	377	415	45	40	4.00	M12	6,500
33174361	354 - 361	DN 350	M16	408	446	45	40	4.00	M12	6,500