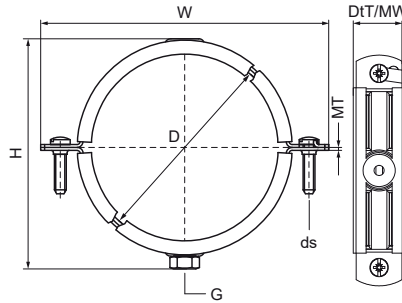


Walraven Stainless Steel Clamp with Lining for Spiral Ducts (M8)

(M1605)

for spiral ventilation ducts



Features & benefits

- two-part clamp with two locking bolts
- with quick locking system
- material: stainless steel 1.4404 (AISI 316L)
- noise insulating lining, EPDM rubber, black
- sound insulating lining according DIN 4109



| Product Number | Outside Pipe Diameter | Connection Thread | Total Height | Total Width | Total Depth | Material Width | Material Thickness | Screw Size | Maximum Allowed Load Faz | Approvals |
|------------------|-----------------------|-------------------|--------------|-------------|-------------|----------------|--------------------|------------|--------------------------|----------------|
| Reference Letter | D | G | H | W | DtT | MW | MT | ds | Fa,z | |
| Unit description | mm | | mm | mm | mm | mm | mm | | N | |
| 4137100 | 100 | M8 | 117 | 147 | 28 | 25 | 1.50 | M8 | 850 | ITB (KOT), EPD |
| 4137125 | 125 | M8 | 142 | 172 | 28 | 25 | 1.50 | M8 | 850 | ITB (KOT), EPD |
| 4137150 | 150 | M8 | 167 | 197 | 28 | 25 | 1.50 | M8 | 850 | ITB (KOT), EPD |
| 4137160 | 160 | M8 | 178 | 207 | 28 | 25 | 1.50 | M8 | 850 | ITB (KOT), EPD |
| 4137200 | 200 | M8 | 217 | 247 | 28 | 25 | 1.50 | M8 | 850 | ITB (KOT), EPD |
| 4137250 | 250 | M8 | 267 | 297 | 28 | 25 | 1.50 | M8 | 850 | ITB (KOT), EPD |
| 4137315 | 315 | M8 | 332 | 361 | 28 | 25 | 1.50 | M8 | 850 | ITB (KOT), EPD |
| 4137355 | 355 | M8 | 372 | 402 | 28 | 25 | 1.50 | M8 | 850 | ITB (KOT), EPD |
| 4137400 | 400 | M8 | 417 | 446 | 28 | 25 | 1.50 | M8 | 850 | ITB (KOT), EPD |