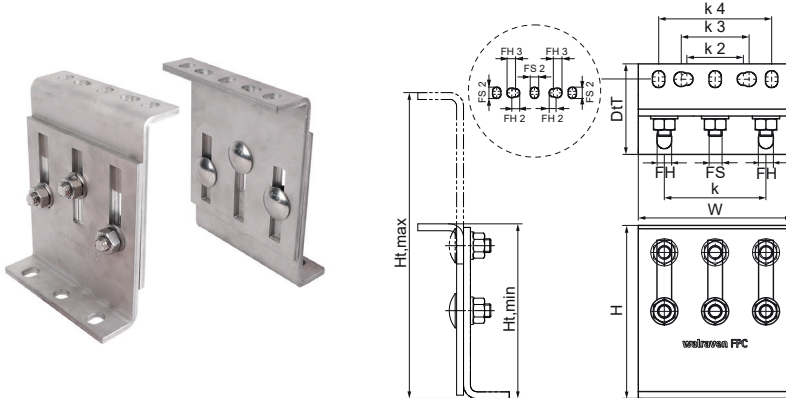


Walraven Stainless Steel Fixpoint Console FPC

(M1902)

for fixing point assembly



Features & benefits

- flexible use console module for high forces (depending on the situation, detailed design by technical service)
- can be used as a pipe connection point in conjunction with 2 or 3 heavy-duty clamps type HD700 or HD500 Black
- tightening torque 75 Nm for the console fixing screws
- suitable for in- and outdoor applications
- material: stainless steel A4 (1.4401/ AISI 316)



Product Number	Minimum Height	Maximum Height	Maximum Allowed Load Faz	Maximum Allowed Load Fay	Maximum Allowed Load Fax	Fixing Slot	Fixing Hole	Heart To Heart Distance	Fixing Slot 2	Fixing Hole 2	Fixing Hole 3	Heart To Heart Distance 2	Heart To Heart Distance 3	Heart To Heart Distance 4	Total Width	Total Height	Total Depth
Reference Letter	Ht,min	Ht,max	Fa,z	Fa,y	Fa,x	FS	FH	k	FS 2	FH 2	FH 3	k 2	k 3	k 4	W	H	DtT
Unit description	mm	mm	N	N	N	mm	mm	mm	mm	mm	mm	mm	mm	mm	mm	mm	mm
6697206	153	268	14,300	11,500	3,200	15x13	13	90	15x11	11	13	50	60	100	136	153	86.5