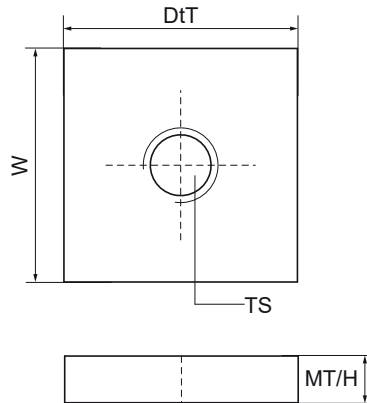
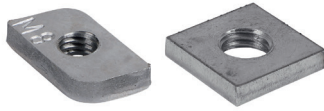


Walraven Stainless Steel Slide Nut

(M2910)

to connect construction parts to the rail



Features & benefits

- because of shape the nut fits in rail
- material: stainless steel 1.4401 (AISI 316)

Product Number	For Rail Type	Thread Size	Material Thickness	Torque Moment For Installation	Total Height	Total Width	Total Depth
Reference Letter		TS	MT	T inst.	H	W	DtT
Unit description			mm	Nm	mm	mm	mm
6511006	27x18, 30x15, 30x20, 30x30, 38x40	M6	5.00	30	5	25	25
6511008	27x18, 30x15, 30x20, 30x30, 38x40	M8	5.00	15	5	26.3	13.8
6511010	27x18, 30x15, 30x20, 30x30, 38x40	M10	5.00	15	5	26.3	13.8
6511012	27x18, 30x15, 30x20, 30x30, 38x40	M12	5.00	30	5	25	25