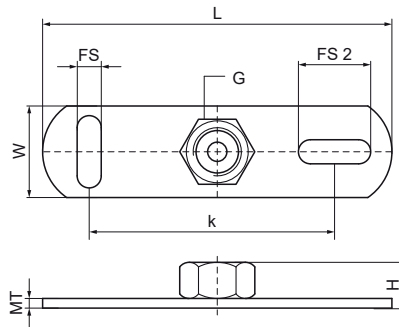


Walraven Stainless Steel Wall Plate Resistance Welded

(M6505)

fixing to ceiling or floor



Features & benefits

- fixings to wall, ceiling or floor (only tension loads recommended)
- slots at 90° to each other to simplify fixing
- material: stainless steel A2 (1.4301 / AISI 304)

Product Number	Connection Thread	Total Length	Total Width	Total Height	Material Thickness	Fixing Slot	Fixing Slot 2	Heart To Heart Distance	Maximum Allowed Load Faz
Reference Letter	G	L	W	H	MT	FS	FS 2	k	F _{a,z}
Unit description		mm	mm	mm	mm	mm	mm	mm	N
6707006	M6	80	25	9	3.00	15x8,5	15x8,5	50	2,500
6707008	M8	80	25	10	3.00	15x8,5	15x8,5	50	2,500
6707010	M10	80	25	12	3.00	15x8,5	15x8,5	50	2,500