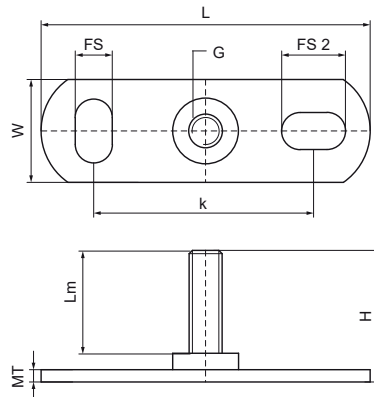


## Walraven Stainless Steel Wall Plate with Welded Stud Bolt 672

(M6510)

fixing to wall or ceiling



### Features & benefits

- fixings to ceiling or floor (only tension loads recommended)
- slots at 90° to each other to simplify fixing
- with resistance welded male stud bolt
- material: stainless steel A2 (1.4301/ AISI 304)

Product Number	Connection Thread	Length Metrical Thread	Total Length	Total Width	Total Height	Material Thickness	Fixing Slot	Fixing Slot 2	Heart To Heart Distance	Maximum Allowed Load Faz
Reference Letter	G	Lm	L	W	H	MT	FS	FS 2	k	F <sub>0,z</sub>
Unit description		mm	mm	mm	mm	mm	mm	mm	mm	N
6727008	M8	35	80	25	44	3.00	15x8,5	15x8,5	50	2,500