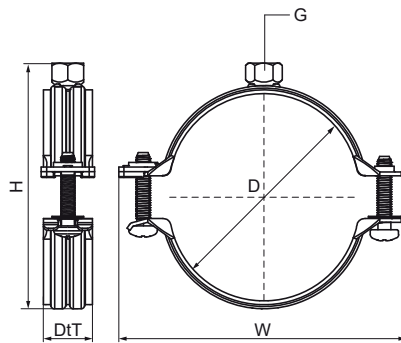


Walraven HD Sprinkler Clamp Stainless Steel (M10)

(M9510)

Features & benefits



Product Number	Outside Pipe Diameter	Connection Thread	Total Height	Total Width	Total Depth	Maximum Allowed Load Faz
Reference Letter	D	G	H	W	DtT	Fa,z
Unit description	mm		mm	mm	mm	N
5994507019	15 - 19	M10	25	57	21	1,800
5994507024	20 - 24	M10	25	62	26	1,800
5994507030	25 - 30	M10	25	68	32	1,800
5994507035	31 - 35	M10	30	75	37	2,300
5994507045	40 - 45	M10	30	85	47	2,300
5994507053	48 - 53	M10	30	93	55	2,300
5994507059	54 - 59	M10	30	104	61	2,300
5994507065	60 - 65	M10	30	110	67	2,300
5994507081	72 - 78	M10	30	140	80	2,300
5994507094	86 - 91	M10	30	155	80	3,000
5994507116	108 - 116	M10	30	184	120	3,000
5994507129	122 - 130	M10	40	202	135	3,000
5994507146	139 - 147	M10	40	217	155	9,000
5994507173	165 - 170	M10	40	248	180	9,000
5994507226	216 - 224	M10	40	303	227	9,000