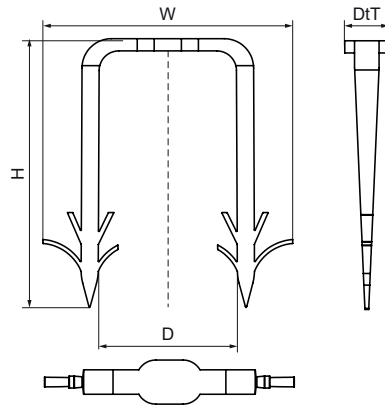


Walraven Tacker Clamp POM

(01522)



Features & benefits

| Product Number | Outside Pipe Diameter | Total Height | Total Width | Total Depth | Maximum Number of Tubes |
|------------------|-----------------------|--------------|-------------|-------------|-------------------------|
| Reference Letter | <i>D</i> | <i>H</i> | <i>W</i> | <i>DtT</i> | |
| Unit description | <i>mm</i> | <i>mm</i> | <i>mm</i> | <i>mm</i> | |
| 0870028 | 28 | 55 | 51 | 9 | 1 |