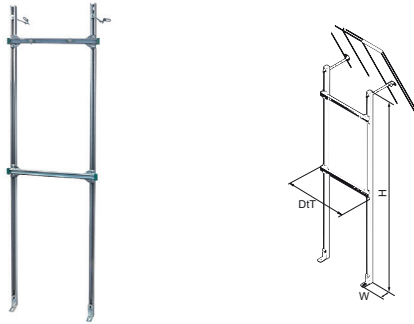


Walraven Gas Heater Support

(02505)

fixing of gas heaters



Features & benefits

- universal kits for fixing all types of wall-mounted boilers and water heaters
- + ■ due to adjustability it is also possible to attach to sloping roof
- largely pre-assembled kit, adjustable bars for flexible positioning of the boiler or water heater
- 034600X: maximum allowed load: 180 kg
- material: steel
- studs: pre-galvanized; cross-beams: zinc plated
- each support consists of: 2 vertical rails 30x30mm, 2 horizontal crossbars 30x30mm, 2 floor connection brackets, 2 wall connection brackets (flexible in angle), fasteners (plugs or anchors are not included)
- each kit is wrapped with assembly instructions

| Product Number | Model | Total Height | Total Width | Total Depth | Maximum Load |
|------------------|-----------|--------------|-------------|-------------|--------------|
| Reference Letter | | H | W | DtT | |
| Unit description | | mm | mm | mm | N |
| 0346001 | Frame-Set | 1,700 | 83 | 490 | 1,800 |
| 0346004 | Frame-Set | 1,700 | 83 | 900 | 1,800 |
| 0346008 | Frame-Set | 1,700 | 83 | 650 | 1,800 |
| 0346002 | Frame-Set | 2,000 | 83 | 900 | 1,800 |