

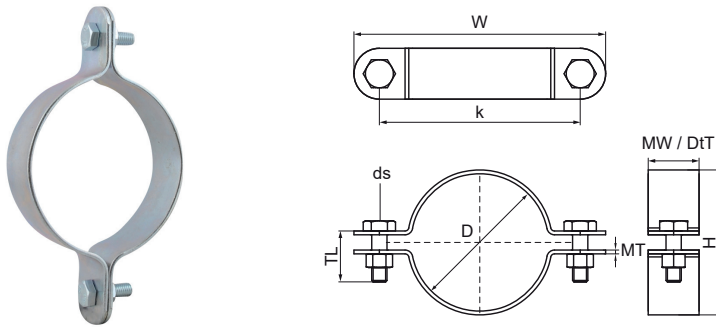
Walraven IH100 Split Band Clip Over Insulation

(P0410)

for steel, copper and insulated pipes

Features & benefits

- standard finish: zinc plated



Product Number	Outside Pipe Diameter	Total Height	Total Width	Total Depth	Material Width	Material Thickness	Connection Hole	Heart To Heart Distance	Screw Size	Thread Length
Reference Letter	D	H	W	DtT	MW	MT	CH	k	ds	TL
Unit description	mm	mm	mm	mm	mm	mm	mm	mm		mm
B4093053	53	59	132	30	30	3.00	11	100	M10	30
B4093056	56	62	142	30	30	3.00	11	159	M10	30
B4093063	63	69	146	30	30	3.00	11	165	M10	30
B4093070	70	76	150	30	30	3.00	11	173	M10	30
B4093073	73	77	150	30	30	3.00	11	120	M10	30
B4093077	77	77	154	30	30	3.00	11	124	M10	30
B4093081	81	87	160	30	30	3.00	11	128	M10	30
B4093083	83	83	160	30	30	3.00	11	130	M10	30
B4093089	89	89	166	30	30	3.00	11	136	M10	30
B4093096	96	96	173	30	30	3.00	11	143	M10	30
B4093103	103	103	180	30	30	3.00	11	150	M10	30
B4093109	109	109	186	40	40	3.00	10.5	156	M10	30
B4093114	114	114	191	40	40	3.00	10.5	161	M10	30
B4093122	122	122	199	40	40	3.00	10.5	169	M10	30
B4093127	127	127	204	40	40	3.00	10.5	174	M10	30
B4093132	132	132	209	40	40	3.00	10.5	179	M10	30
B4093139	139	139	216	40	40	3.00	10.5	186	M10	30
B4093148	148	148	225	40	40	3.00	10.5	195	M10	30
B4093152	152	152	229	40	40	3.00	10.5	199	M12	40
B4093159	159	159	249	40	40	3.00	14	209	M12	40
B4093168	168	168	258	40	40	3.00	14	218	M12	40
B4093172	172	172	262	40	40	3.00	14	222	M12	40
B4093180	180	180	270	40	40	3.00	14	230	M12	40
B4093190	190	190	288	40	40	5.00	14	248	M12	40
B4093196	196	196	294	40	40	5.00	14	254	M12	40
B4093202	202	202	300	40	40	5.00	14	260	M12	40
B4093212	212	212	310	40	40	5.00	14	270	M12	40
B4093220	220	220	318	40	40	5.00	14	278	M12	40
B4093225	225	225	323	40	40	5.00	14	283	M12	40
B4093232	232	232	330	40	40	5.00	14	290	M12	40

Walraven IH100 Split Band Clip Over Insulation

(P0410)

for steel, copper and insulated pipes

Product Number	Outside Pipe Diameter	Total Height	Total Width	Total Depth	Material Width	Material Thickness	Connection Hole	Heart To Heart Distance	Screw Size	Thread Length
Reference Letter	D	H	W	DtT	MW	MT	CH	k	ds	TL
Unit description	mm	mm	mm	mm	mm	mm	mm	mm		mm
B4093240	240	240	338	40	40	5.00	14	298	M12	40
B4093250	250	250	348	40	40	5.00	14	308	M12	40
B4093260	260	260	358	40	40	5.00	14	318	M12	40
B4093270	270	270	368	40	40	5.00	14	328	M12	40
B4093280	280	292	418	50	50	6.00	18	368	M16	50
B4093302	302	314	440	50	50	6.00	18	390	M16	50
B4093320	320	332	458	50	50	6.00	18	408	M16	50
B4093265	265	275	363	40	40	5.00	14	323	M12	40
B4093284	284	290	422	50	50	6.00	18	372	M16	50
B4093289	289	301	426	50	50	6.00	18	376	M16	50
B4093295	295	307	432	50	50	6.00	18	382	M16	50
B4093305	305	317	442	50	50	6.00	18	392	M16	50
B4093315	315	327	453	50	50	6.00	18	403	M16	50
B4093325	325	337	464	50	50	6.00	18	412	M16	50
B4093330	330	342	470	50	50	6.00	18	420	M16	50
B4093335	335	347	474	50	50	6.00	18	424	M16	50
B4093342	342	354	480	50	50	6.00	18	430	M16	50
B4093343	343	355	481	50	50	6.00	18	431	M16	50
B4093350	350	362	491	50	50	6.00	18	441	M16	50
B4093355	355	367	493	50	50	6.00	18	443	M16	50
B4093363	363	375	501	50	50	6.00	18	451	M16	50
B4093370	370	382	509	50	50	6.00	18	459	M16	50
B4093376	376	396	535	50	50	10.00	22	475	M20	80
B4093385	385	405	545	50	50	10.00	22	485	M20	80
B4093395	395	415	575	50	50	10.00	22	505	M20	80
B4093405	405	425	584	50	50	10.00	22	514	M20	80
B4093419	419	439	595	50	50	10.00	22	525	M20	80
B4093425	425	445	603	50	50	10.00	22	533	M20	80
B4093442	442	462	621	60	60	10.00	22	535	M20	80
B4093464	464	484	643	60	60	10.00	22	573	M20	80
B4093475	475	495	653	60	60	10.00	22	583	M20	80
B4093510	510	534	690	60	60	12.00	26	620	M20	100