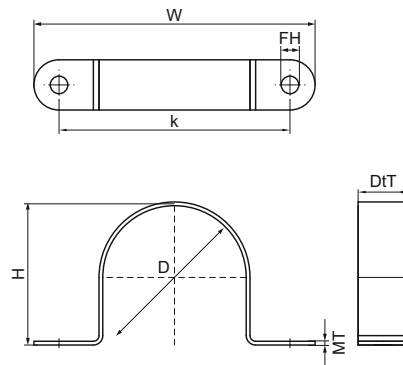


Walraven IH103 / IH142 Saddle Guide

(P0425)

for steel, copper and insulated pipes



Features & benefits

- Type IH103: zinc plated, for steel pipe
- Type IH142: nylon coated, for copper pipe
- with clearance to allow movement

Product Number	Outside Pipe Diameter	Pipe Diameter Imperial	Fixing Hole	Heart To Heart Distance	Material Thickness	Total Height	Total Width	Total Depth
Reference Letter	<i>D</i>	<i>D</i>	<i>FH</i>	<i>k</i>	<i>MT</i>	<i>H</i>	<i>W</i>	<i>DtT</i>
Unit description	mm	"	mm	mm	mm	mm	mm	mm
B3203024	24	1/2	7	66	3.00	26	86	25
B3203030	30	3/4	7	77	3.00	32	97	25
B3203037	37	1	7	80	3.00	39	100	25
B3203046	46	1 1/4	11	100	3.00	47	130	30
B3203054	54	1 1/2	11	110	3.00	52	140	30
B3203064	64	2	11	120	3.00	65	150	30
B3203082	82	2 1/2	14	148	3.00	81	188	40
B3203095	95	3	14	160	3.00	95	200	40
B3203120	120	4	14	190	3.00	120	230	40