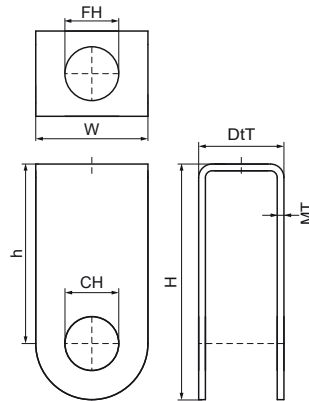


## Walraven IH212 Link Eye

(P1225)



### Features & benefits

- material: steel
- Part No. B6762010 and B6762012 pre-galvanized
- Part No. B6763016 zinc plated

| Product Number          | Surface Protection | Fixing Hole | Connection Hole | Total Height | Total Width | Total Depth | Height    | Material Thickness |
|-------------------------|--------------------|-------------|-----------------|--------------|-------------|-------------|-----------|--------------------|
| <i>Reference Letter</i> |                    | <i>FH</i>   | <i>CH</i>       | <i>H</i>     | <i>W</i>    | <i>DtT</i>  | <i>h</i>  | <i>MT</i>          |
| <i>Unit description</i> |                    | <i>mm</i>   | <i>mm</i>       | <i>mm</i>    | <i>mm</i>   | <i>mm</i>   | <i>mm</i> | <i>mm</i>          |
| B6762010                | Pre-galvanized     | 10          | 10              | 55           | 25          | 19          | 40        | 1.50               |
| B6762012                | Pre-galvanized     | 12          | 12              | 70           | 25          | 25          | 50        | 1.50               |
| B6763016                | Zinc Plated        | 18          | 18              | 85           | 50          | 36          | 60        | 3.00               |