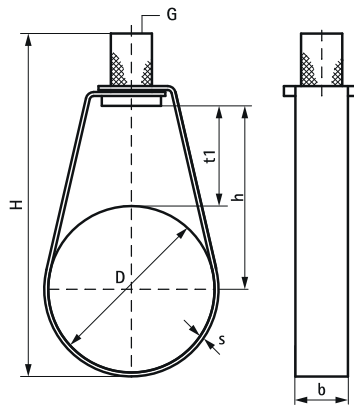


## Walraven Sprinkler Clamp TA41

(B1215)

for sprinkler pipes



### Features & benefits

- one-part clamp
- for sprinkler pipes up to 8" (221 mm)
- with knurled nut for fixing to stud bolt or threaded rod
- material: steel
- clamp: pre-galvanized; nut: zinc plated
- with FM approval - certificate number 3024336
- UL listed - certificate number VFXT.EX9140



Product Number	Outside Pipe Diameter	Connection Thread	Material Width x Material Thickness	Total Width x Total Height x Maximum Allowed Load Total Depth	Fa,z
Reference letter	D	G	MW x MT	W x H x DtT	Fa,z
Unit description	(mm)		(mm) x (mm)	(mm) x (mm) x (mm)	(N)
4535021	23	M10	16 x 1	86 x 51 x 16	1500
4535027	28	M10	16 x 1	86 x 48 x 16	1500
4535034	35	M10	16 x 1	37 x 89 x 16	1500
4535042	44	M10	16 x 1	46 x 98 x 16	1500
4535048	50	M10	16 x 1	52 x 105 x 16	1500
4535060	62	M10	16 x 1	64 x 117 x 16	1500
4535076	77	M10	22 x 2	81 x 130 x 22	4500
4535089	90	M10	22 x 22	94 x 143 x 22	4500
4535114	115	M10	22 x 22	119 x 175 x 22	4500
4535140	142	M12	27 x 25	148 x 213 x 25	5200
4535168	170	M12	27 x 25	176 x 250 x 25	5200
4535219	221	M12	27 x 25	227 x 312 x 25	5200