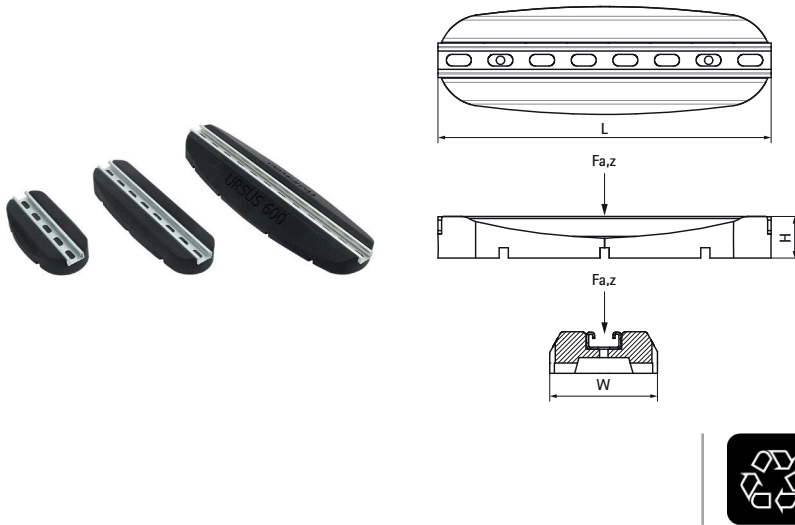


Walraven Ursus Foot Support System (BUP1000)

(10420)

Floor console damping base for air conditioning and heat pump



Features & benefits

- for supporting small pipework systems, ductwork runs and cable trays
- to support climate installations, walkways on flat roofs, etc.
- does not penetrate the waterproof membrane (at PVC roofs a separating layer must be installed to protect against plasticizer migration - see Walraven Walraven Yeti® Triplex Separation Layer)
- material: vulcanized rubber, black; Walraven RapidStrut® Rail made of steel 1.0242
- UV resistant
- product is part of the Walraven UltraProtect® 1000 system
- suitable for in- and outdoor applications
- Walraven RapidStrut® Rail: surface protection:
- For a detailed calculation and for support how to spread the load please contact Walraven Technical Support.
- In cases where a foot is used in roof applications, the installer is obliged to verify maximum load capacity of roof before installation.



Product Number	Total Width	Total Length	Total Height	Height	Maximum Load
Reference letter	<i>W</i>	<i>L</i>	<i>H</i>	<i>h</i>	
Unit description	(mm)	(mm)	(mm)	(mm)	(N)
67687250	130	250	50	21.30	1000
67687400	130	400	50	21.30	2000
67687601	200	600	50	21.30	3000