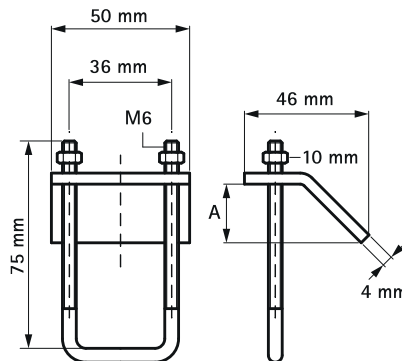


## Walraven RapidRail® Stainless Steel Beam Clamp

(M3705)

fixing to steel beam



### Features & benefits

- for a solid fixing to steel construction without the need for welding or drilling
- always use 2 beam clamps per fixing
- material: stainless steel 1.4401 (AISI 316)

Product Number	For Rail Type	Thread Size	Thread Length	Total Width x Total Height x Total Length	Width	Material Thickness	Torque Moment For Installation	Maximum Allowed Load Faz
<i>Reference letter</i>		<i>TS</i>	<i>TL</i>	<i>W x H x L</i>	<i>w</i>	<i>MT</i>	<i>T inst.</i>	<i>Fa,z</i>
<i>Unit description</i>			<i>(mm)</i>	<i>(mm) x (mm) x (mm)</i>	<i>(mm)</i>	<i>(mm)</i>	<i>(Nm)</i>	<i>(N)</i>
6587011	27x18, 30x15, 30x20, 30x30, 30x45	M6	55	50 x 86 x 46	31	4	15	2500